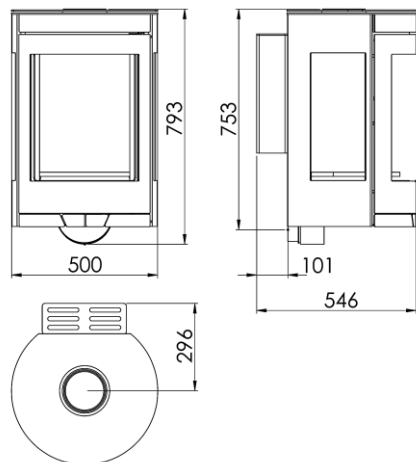


## AFMETINGEN

DIMENSIONS H x D x B	793x500x546 mm
BRUTO/NETTO GEWICHT	125/102 kg
AFMETINGEN DEUR	432x337 mm
ROOKUITGANG	Ø 150-153 mm Verticaal
EXTERNE LUCHTTOEVOER	Ø 80 mm

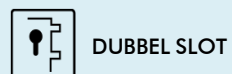
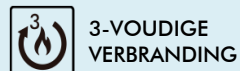
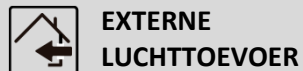
## CHARACTERISTICS

CAST IRON GRILL	
THREE-SIDED VISION	
STEEL BODY SHEET	5 mm
NOMINAL HEAT OUTPUT	8 KW
EFFICIENCY	78,5 %
CO EMISSIONS	0,10 %
HEAT RESISTANT PAINT	800°C
CERAMIC GLASS HEAT RESISTANCE	750°C



## PLUS PRODUCT

### ECODESIGN



EAN 8426964241051  
REF. 24105



**BlmSchV2**



# LINZ WALL EcoDesign



LINZ WALL NL