

## MEASURES

DIMENSIONS H x W x D	1147x514x460mm
GROSS/NET WEIGHT	151/137 kg
FIREWOOD ENTRANCE	310x565 mm
SMOKE FLUE	Ø 150-153 mm Top
EXTERNAL AIR INTAKE	Ø 80 mm

## CHARACTERISTICS

CAST IRON GRILL	
PANORAMIC VISION	
STEEL BODY SHEET	5 mm
NOMINAL HEAT OUTPUT	8 KW
EFFICIENCY	78 %
CO EMISSIONS	0,10%
HEAT RESISTANT PAINT	800°C
CERAMIC GLASS HEAT RESISTANCE	750°C

## PRODUCT PLUS

### ECODESIGN



EXTERNAL AIR INTAKE



VERMICULITE LINING



WOOD LOGS 50 CM



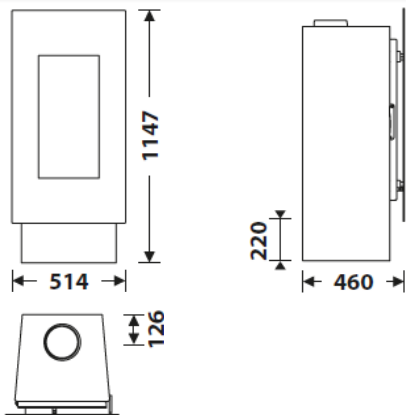
250 m<sup>3</sup> HEATING VOLUME



DOUBLE COMBUSTION



CLEAN GLASS SYSTEM



EAN 8426964116205  
REF. 11620



BlmSchV2



# KYOTO EcoDesign



KYOTO EN

