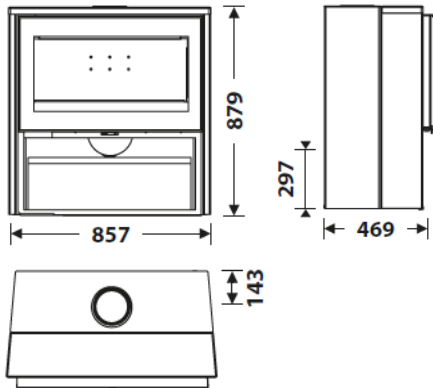


MEASURES

DIMENSIONS H x W x D	879x857x469 mm
GROSS/NET WEIGHT	228/195 kg
FIREWOOD ENTRANCE	620x286 mm
SMOKE FLUE	Ø 150-153 mm Top
EXTERNAL AIR INTAKE	Ø 80 mm





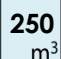





CHARACTERISTICS

CAST IRON GRILL	
PANORAMIC VISION	
STEEL BODY SHEET	5+3 mm
NOMINAL HEAT OUTPUT	7,2 KW
EFFICIENCY	78,9 %
CO EMISSIONS	0,10%
HEAT RESISTANT PAINT	800°C
CERAMIC GLASS HEAT RESISTANCE	750°C



PRODUCT PLUS

ECODESIGN

-  **EXTERNAL AIR INTAKE**
-  WHITE REFRACTORY BRICKS
-  WOOD LOG STORAGE
-  WOOD LOGS 60 CM
-  250 m³ HEATING VOLUME
-  CLEAN GLASS SYSTEM
-  TRIPLE COMBUSTION
-  DOUBLE LOCK
-  PRINTED GLASS
-  NATURAL STONE



EAN 8426964243000
REF. 24300



FIREX EcoDesign



FIREX EN



BlmSchV2

