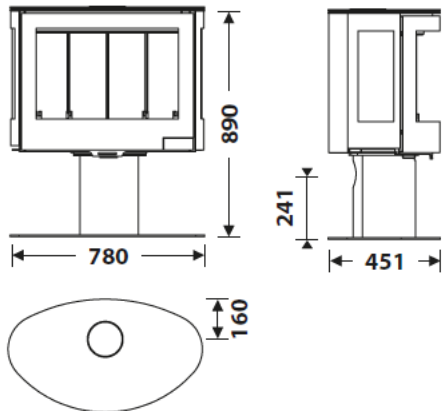


MEASURES

DIMENSIONS H x W x D	890x780x451 mm
GROSS/NET WEIGHT	162/142 kg
FIREWOOD ENTRANCE	390x570 mm
SMOKE FLUE	Ø 150-153 mm Top
EXTERNAL AIR INTAKE	Ø 80 mm

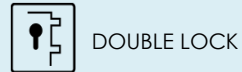
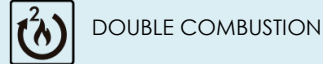
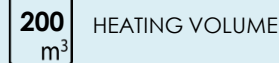
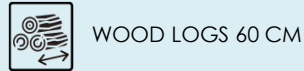
CHARACTERISTICS

CAST IRON GRILL	
THREE-SIDED VISION	
STEEL BODY SHEET	5 mm
NOMINAL HEAT OUTPUT	7,8 KW
EFFICIENCY	77%
CO EMISSIONS	0,10%
HEAT RESISTANT PAINT	800°C
CERAMIC GLASS HEAT RESISTANCE	750°C



PRODUCT PLUS

ECODESIGN



EAN 8426964241501
REF. 24150



BlmSchV2



ELYPS EcoDesign

